



02M



02DM



41M



42M

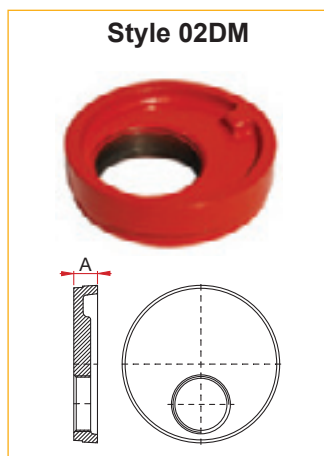
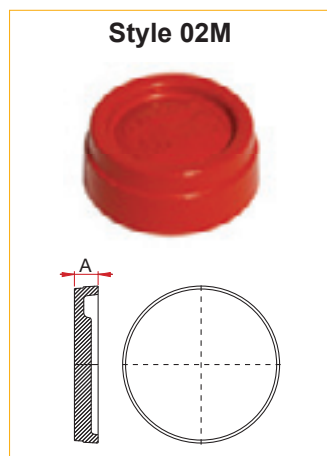


91M

Style 02M or 02DM



Grooved End Fittings



	Nominal Size	Pipe Outside Diam.	Style 02M End-Cap		Style 02DM End-Cap		
			A	Weight Kg	A	Outlet	Weight Kg
inch	1¼	1.660	²⁹ / ₃₂	0.13	-	-	-
mm	32	42.4	23.0		-	-	-
inch	1½	1.900	²⁹ / ₃₂	0.17	-	-	-
mm	40	48.3	23.0		-	-	-
inch	2	2.375	²⁹ / ₃₂	0.28	²⁹ / ₃₂	1	-
mm	50	60.3	23.0		23.0		-
inch	3 O.D.	3.000	⁶¹ / ₆₄	0.42	⁶¹ / ₆₄	11/2 ;2	-
mm	65	76.1	24.0		24.0		-
inch	3	3.500	⁶¹ / ₆₄	0.55	⁶¹ / ₆₄	11/2 ;2	-
mm	80	88.9	24.0		24.0		-
inch	4¼ O.D.	4.250	1	0.78	-	-	-
mm	100	108.0	25.4		-		-
inch	4	4.500	1	0.95	1	11/2 ;2	-
mm	100	114.3	25.4		25.4		-
inch	5¼ O.D.	5.250	1	1.26	1	11/2 ;2	-
mm	125	133.0	25.4		25.4		-
inch	5½ O.D.	5.500	1	1.45	1	11/2 ;2	-
mm	125	139.7	25.4		25.4		-
inch	6¼ O.D.	6.250	1	1.85	1	11/2 ;2	-
mm	150	159.0	25.4		25.4		-
inch	6½ O.D.	6.500	1	2.15	1	11/2 ;2	-
mm	150	165.1	25.4		25.4		-
inch	6	6.625	1	2.21	1	11/2 ;2	-
mm	150	168.3	25.4		25.4		-
inch	8	8.625	1 ³ / ₁₆	3.89	1 ³ / ₁₆	11/2 ;2	-
mm	200	219.1	30.2		30.2		-
inch	10	10.750	1 ¼	7.33	-	-	-
mm	250	273.0	32.0		-		-
inch	12	12.750	1 ¼	10.19	-	-	-
mm	300	323.9	32.0		-		-
inch	14	14.000	1 ¼	18.0	-	-	-
mm	350	355.6	@32.0		-		-
inch	16	16.000	1 ¼	22.0	-	-	-
mm	400	406.4	@32.0		-		-
inch	14	14.000	1 ¼	18.0	-	-	-
mm	350	355.6	@32.0		-		-
inch	16	16.000	1 ¼	22.0	-	-	-
mm	400	406.4	@32.0		-		-