



15



16

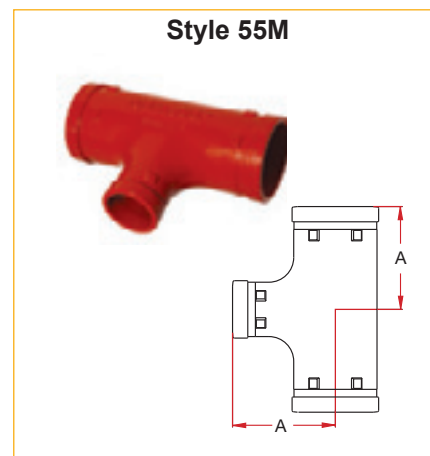
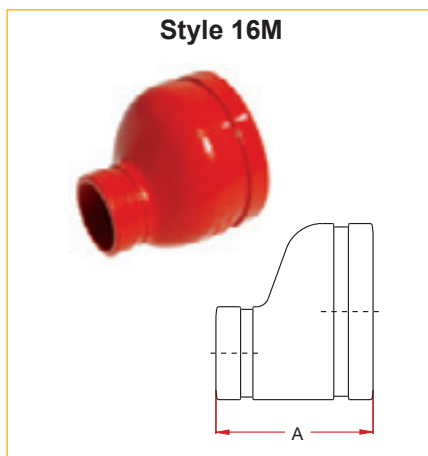
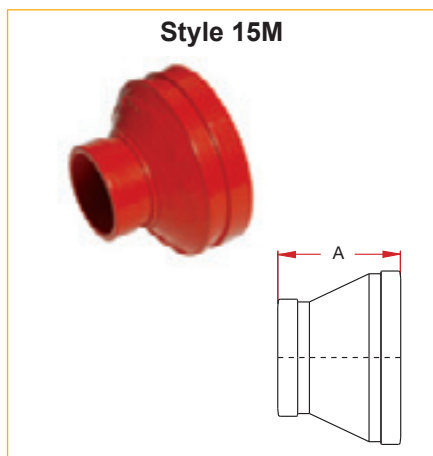


55

Style 15M, 16M, 55M



Grooved End Reducing Fittings



	Nominal Size	Pipe Outside Diam.	Style 15M Reducer (concentric)		Style 16M Reducer (eccentric)		Style 55M Reducing Tee	
			A	Weight Kg	A	Weight Kg	A	Weight Kg
inch	1 1/2 x 1 1/4	1.900 x 1.660	2 1/2	0.28	-	-	-	-
mm	40 x 32	48.3 x 42.4	63.5		-	-	-	-
inch	2 x 1 1/2	2.375 x 1.900	2 1/2	0.37	-	-	-	-
mm	50 X 40	60.3 x 48.3	63.5		-	-	-	-
inch	3 O.D. x 2	3.000 x 2.375	2 1/2	0.55	-	-	3 3/4	0.60
mm	65 x 50	76.1 x 60.3	63.5		-	-	95.3	
inch	3 x 1 1/2	3.500 x 1.900	2 1/2	0.72	-	-	-	-
mm	* 80 x 40	88.9 x 48.3	63.5		-	-	-	-
inch	3 x 2	3.500 x 2.375	2 1/2	0.69	3 1/2	1.00	4 1/4	2.75
mm	80 x 50	88.9 x 60.3	63.5		89		108.0	
inch	3 x 3 O.D.	3.500 x 3.000	2 1/2	0.73	-	-	4 1/4	-
mm	80 x 65	88.9 x 76.1	63.5		-	-	108.0	
inch	4 x 2	4.500 x 2.375	3	1.11	4	1.50	5	3.95
mm	100 x 50	114.3 x 60.3	76.0		102.0		127.0	
inch	4 x 3 O.D.	4.500 x 3.000	3	1.30	4	1.55	5	4.20
mm	100 x 65	114.3 x 76.1	76.0		102.0		127.0	
inch	4 x 3	4.500 x 3.500	3	1.25	4	1.60	5	4.40
mm	100 x 80	114.3 x 88.9	76.0		102.0		127.0	
inch	5 1/2 O.D. x 2	5.500 x 2.375	-	-	-	-	-	-
mm	125 x 50	139.7 x 60.3	-		-		-	
inch	5 1/2 O.D. x 3 O.D.	5.500 x 3.000	3 1/2	2.01	-	-	-	-
mm	125 x 65	139.7 x 76.1	89.0		-		-	
inch	5 1/2 O.D. x 3	5.500 x 3.500	3 1/2	1.92	-	-	-	-
mm	125 x 80	139.7 x 88.9	89.0		-		-	
inch	5 1/2 O.D. x 4	5.500 x 4.500	3 1/2	2.35	5	2.70	-	-
mm	125 x 100	139.7 x 114.3	89.0		127.0		-	

Maximum working pressure: 1000 psi (69 bar)

Table continues on next page