



24



25



27



26

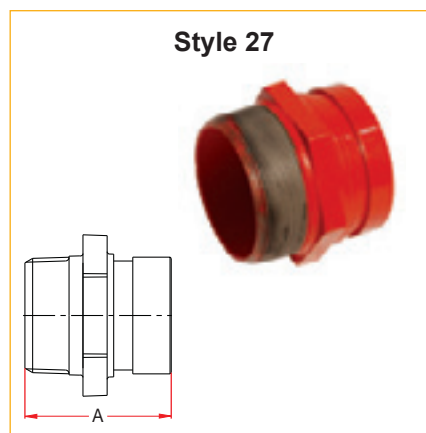


29

Style 24, 25, 27



Grooved End Adaptor



Style 24

Grooved-End / Threaded Reducing Adapter

	Nominal size	Pipe Outside Dia.	Dia. A	Weight Kg.
inch	1½G x 1T	1.660 x 1"	2 7/8	0.32
mm	32 x 25	42.4 x 1"	47.0	
inch	1½G x 1T	1.900 x 1"	1 ¾	0.35
mm	40 x 25	48.3 x 1"	45.0	
inch	2G x 1½T	2.375 x 1½"	2 5/16	0.50
mm	50 x 40	60.3 x 1½"	55.0	
inch	2G x 2T	2.375 x 2"	2 41/64	0.57
mm	50 x 50	60.3 x 2"	67.0	

► Note: T=threaded (BSP) G=Grooved - end

Style 25

Sprinkler Adapter

	Nominal size	Pipe Outside Dia.	Dia. A	Weight Kg.
inch	1x½	1"x½"	1 49/64	0.18
mm	25x15		45.0	
inch	1x¾	1"x¾"	1 49/64	0.25
mm	25x20		45.0	

► Note: T=threaded (BSP) G=Grooved - end

Style 27

Nipple Adapter

	Nominal size	Pipe Outside Dia.	Dia. A	Weight Kg.
inch	1½G x 1½T	1.660 x 1¼"	2 7/16	0.35
mm	32 x 32	42.4 x 1¼"	62.0	
inch	1½G x 1½T	1.900 x 1½"	2 3/8	0.40
mm	40 x 40	48.3 x 1½"	60.0	
inch	2G x 2T	2.375 x 2"	2 ¾	0.60
mm	50 x 50	60.3 x 2"	68.0	
inch	2½G x 2½T	2.875 x 2½"	2 61/64	0.90
mm	65 x 65	76.1 x 2½"	75.0	
inch	3G x 3T	3.500 x 3"	3 11/32	1.10
mm	80 x 80	88.9 x 3"	85.0	
inch	4G x 4T	4.500 x 4"	3 1/8	1.0
mm	100 x 100	114.3 x 4"	81.0	

► Note: T=threaded (BSP) G=Grooved - end