



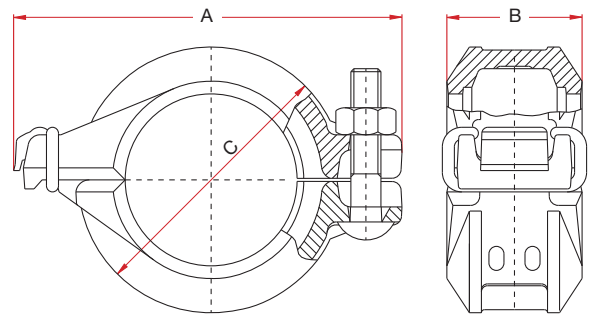
## Style 007

### QUIKHINGE® One Bolt Flexible Coupling



#### Features

- QUIKHINGE® 007 is one of the most efficient and advanced couplings. It is a new concept of "one bolt coupling" that offers both possibilities of Flexible or Rigid pipe joining.
- For general use (other than sprinkler systems) max. working pressure 230 psi. (16 bar).



	Nominal Size	Pipe Outside Dia.	Coupling Dimensions			Bolts			Max. End Load ‡ kg	Allow Pipe End Sep. §	Weight Kg.	
			A	B	C	No.	Size x Length					
inch	1	1.315	3 15/16	1 47/64	2 3/8	1	M10	x	51	108	0-1/8	0.525
mm	25	33.4	100.0	44.0	60.0						0-3.2	
inch	1 1/4	1.660	4 19/64	1 47/64	2 11/16	1	M10	x	57	172	0-1/8	0.615
mm	32	42.4	109.0	44.0	68.0						0-3.2	
inch	1 1/2	1.900	4 17/32	1 47/64	2 59/32	1	M10	x	57	225	0-1/8	0.600
mm	40	48.3	115.0	44.0	74.0						0-3.2	
inch	2	2.375	5 5/64	1 49/64	3 15/32	1	M10	x	57	351	0-1/8	0.800
mm	50	60.3	129.0	45.0	88.0						0-3.2	
inch	2 1/2	2.875	5 19/32	1 49/64	3 59/64	1	M10	x	57	515	0-1/8	0.850
mm	65	73.0	142.0	45.0	98.0						0-3.2	
inch	3 O.D.	3.000	5 3/4	1 49/64	4 1/64	1	M10	x	57	560	0-1/8	0.870
mm	65	76.1	145.0	45.0	102.0						0-3.2	
inch	3	3.500	6 19/32	1 53/64	4 39/64	1	M10	x	57	764	0-1/8	1.100
mm	80	88.9	165.0	46.5	117.0						0-3.2	
inch	4	4.500	7 51/64	1 31/32	5 51/64	1	M10	x	60	1,262	0-1/4	1.720
mm	100	114.3	198.0	50.0	147.0						0-6.4	
inch	5 1/2 O.D.	5.500	9 27/32	2 3/64	7 1/8	1	M12	x	89	1,886	0-1/4	2.950
mm	125	139.7	250.0	52.0	181.0						0-6.4	
inch	6 1/2 O.D.	6.500	10 7/8	2 3/64	8 13/16	1	M12	x	89	2,634	0-1/4	3.400
mm	150	165.1	276.0	52.0	208.0						0-6.4	
inch	6	6.625	10 1/8	2 3/64	8 13/16	1	M12	x	89	2,737	0-1/4	3.150
mm	150	168.3	276.0	52.0	208.0						0-6.4	

Suitable for dry pipe systems for temperature down to - 40 °C.

#### Note:

§ Figures indicating allowable pipe end separation refer to standard weight steel pipe with standard cut groove and in accordance with QUIKCOUP® pipe Preparation and Installation Instructions. Figures for standard roll groove will be one half of the above values.

‡ Figures indicating max. end load refer to standard weight steel pipe with standard cut groove and in accordance with QUIKCOUP® pipe Preparations and Installation Instructions.